



ENERG ⚡



SAMSUNG

QE50LS01DAU

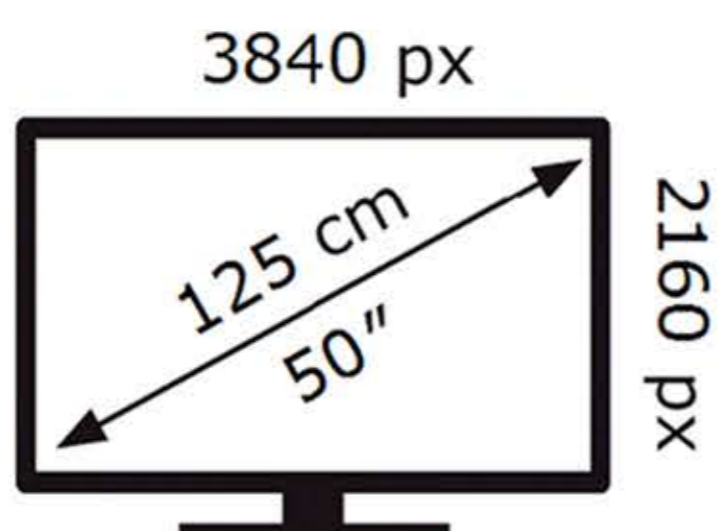


70 kWh/1000h

ABCDEF **G**



137 kWh/1000h



2019/2013



ENERG ⚡



SAMSUNG

QE50LS01DAU

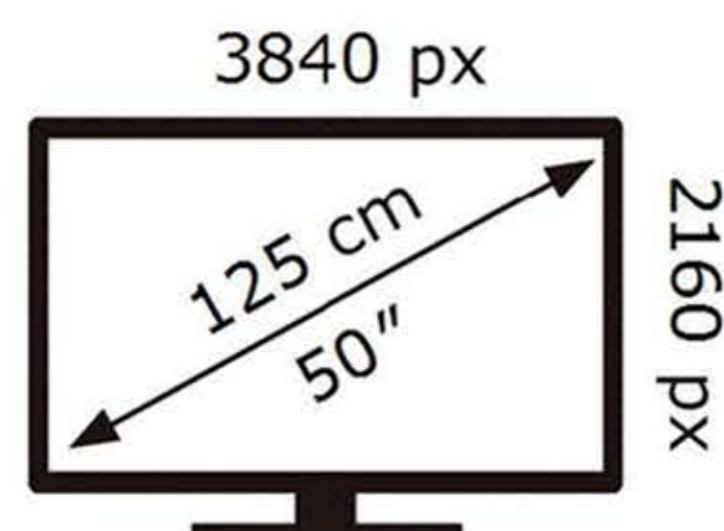


70 kWh/1000h

ABCDEF **G**



137 kWh/1000h



2019/2013