



SAMSUNG

QE65QN800DT

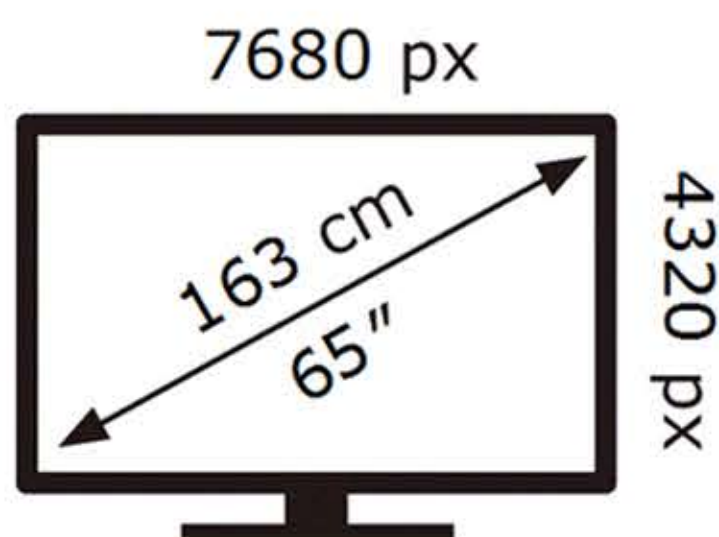


110 kWh/1000h

ABCDEF **G**



350 kWh/1000h



2019/2013



SAMSUNG

QE65QN800DT

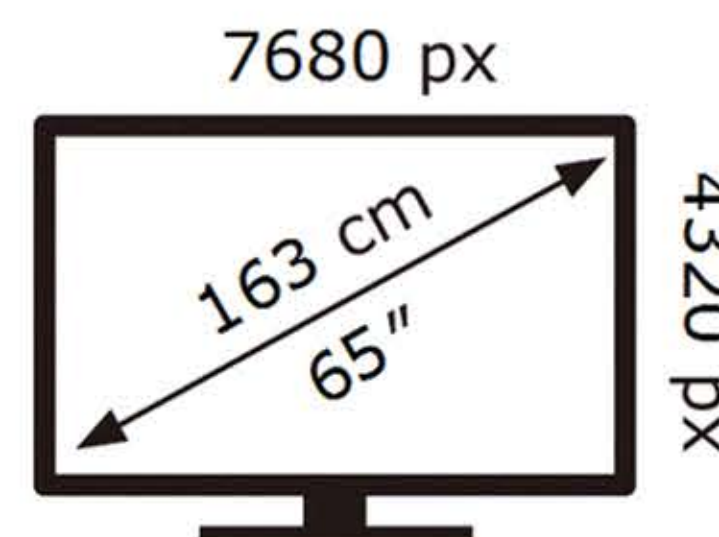


110 kWh/1000h

ABCDEF **G**



350 kWh/1000h



2019/2013